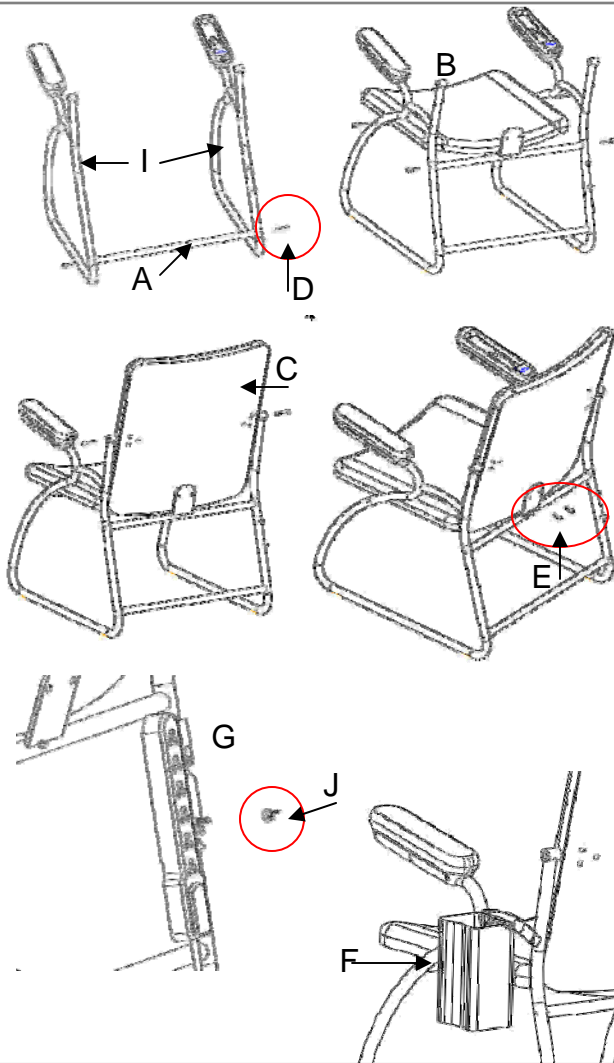


Note: Massage Cushion is not included. Follow your buyer's direction in pulling a unit from stock for display. Please see a list of corresponding massage cushions & display headers on next page (see step 3 on page 2).

Parts List

A.	Support Bar	1	F.	Bucket	1
B.	Seat Cushion	1	G.	Outlet	1
C.	Seat Back	1	H.	Allen Wrench	1
D.	Screw (Φ1/4"x 1 1/4")	8	I.	Chair Arms	2 (L and R)
E.	Screw (Φ1/4"x 1")	2	J.	Nut	1



Step 1. Set up the chair

- 1) Attach Support Bar (A) between Chair Arms (I) with 2 Screws (D)
- 2) Attach Seat Cushion (B) to Chair Arms (I) with 4 Screws (D)
- 3) Attach Seat Back (C) to Chair Arms (I) with 2 Screws (D) as shown
- 4) Attach Seat Back (C) to Seat Cushion (B) with 2 Screws (E) as shown
- 5) Attach Outlet (G) by sliding metal plate down over mounting screws in right chair leg and fitting Nut (J) over the screw to secure

Step 2. Set up the bucket

- Attach Bucket (F) to either armrest of your HoMedics display chair

Be sure that all the screws are fully tightened before using.

Step 3. Display the massage cushion on the chair

When the DISPLAY CHAIR is fully assembled, remove a cushion from its packaging for use with the display chair.

Follow your buyer’s direction in pulling a unit from stock for display. HoMedics massage cushions will match the new headers that have shipped with this item or separately.

Header Model #	Cushion Model #
<i>HDC-SBM-200H</i>	<i>SBM-200H</i>
<i>HDC-SBM-300H</i>	<i>SBM-300H</i>
<i>HDC-SBM-305MH</i>	<i>SBM-305MH</i>
<i>HDC-QRM-400H</i>	<i>QRM-400H</i>
<i>HDC-SBM-500H</i>	<i>SBM-500H</i>
<i>HDC-MCS-300H</i>	<i>MCS-300H</i>
<i>HDC-MCS-400H</i>	<i>MCS-400H</i>
<i>HDC-MCS-600H</i>	<i>MCS-600H</i>

TO INSTALL CUSHION ON CHAIR:

1. Use the provided Allen wrench to remove the screw located at the bottom of the back cushion. Properly dispose of the screw.
The Shiatsu/Quad-Roller Massaging Cushions will not function unless the screw is removed.
2. Slip the straps located on back of massage cushion onto back chair cushion and adjust fastening straps to secure. The massager should not be able to slip or slide away.
3. Plug the power cord into the outlet (G) that comes with the display chair, and plug the outlet into a 120 volt AC outlet. Be sure to turn on the power switch on the outlet.
4. Open “Demo – Try Me” lid on control arm. Slide hand control into the handset holder integrated into the right armrest of chair. Secure hand control cord by closing the “Demo – Try Me” lid and snapping shut.
5. If you have not already done so, Insert square end of display header into pocket located on the backside of the BACK CUSHION (C).