

GARANTÍA LIMITADA POR UN AÑO

HoMedics vende sus productos con la intención de que no tengan defectos de fabricación ni de mano de obra por un plazo de un año a partir de la fecha de compra original, con las siguientes excepciones. HoMedics garantiza que sus productos no tendrán defectos de material ni de mano de obra bajo condiciones de uso y servicio normales. Esta garantía se extiende únicamente a consumidores y no a distribuidores.

Para obtener servicio para su producto HoMedics, envíe por correo el producto y su recibo de compra fechado (como comprobante de compra), con franqueo pago, a la siguiente dirección:

HoMedics Consumer Relations
Service Center Dept. 168
3000 Pontiac Trail
Commerce Township, MI 48390

No se aceptarán pagos contra entrega.

HoMedics no autoriza a nadie, incluyendo, pero sin limitarse a, distribuidores, posteriores consumidores compradores del producto a un distribuidor, o compradores remotos, a obligar a HoMedics de forma alguna más allá de las condiciones aquí establecidas. La garantía de este producto no cubre daños causados por uso inadecuado o abuso, accidente, conexión de accesorios no autorizados, alteración del producto, instalación inadecuada, reparaciones o modificaciones no autorizadas, uso inadecuado de la fuente de energía/electricidad, cortes de energía, caída del producto, funcionamiento incorrecto o daño de una pieza de funcionamiento debido al no cumplimiento del mantenimiento recomendado por el fabricante, daños durante el transporte, robo, descuido, vandalismo, condiciones climáticas, pérdida de uso en el período durante el cual el producto está en una instalación de reparación o a la espera de piezas o reparación, o cualquier otra condición, sin importar cual sea, que se encuentre fuera del control de HoMedics.

Esta garantía es válida únicamente si el producto es comprado y operado en el país en el cual se compró el producto. Un producto que requiera modificaciones o adaptación para habilitar su funcionamiento en cualquier país que no sea aquél para el que fue diseñado, fabricado, aprobado y/o autorizado, o la reparación de productos dañados por estas modificaciones no están cubiertos bajo esta garantía.

LA GARANTÍA AQUÍ ESTABLECIDA SERÁ LA ÚNICA Y EXCLUSIVA GARANTÍA. NO HABRÁ NINGUNA OTRA GARANTÍA EXPRESA NI IMPLÍCITA, INCLUYENDO NINGUNA GARANTÍA DE COMERCIALIZACIÓN O APTITUD NI NINGUNA OTRA OBLIGACIÓN POR PARTE DE LA COMPAÑÍA CON RESPECTO A PRODUCTOS CUBIERTOS POR ESTA GARANTÍA. HoMEDICS NO TENDRÁ RESPONSABILIDAD ALGUNA POR NINGÚN DAÑO INCIDENTAL, CONSECUENTE NI ESPECIAL. BAJO NINGÚN CONCEPTO ESTA GARANTÍA REQUERIRÁ MÁS QUE LA REPARACIÓN O CAMBIO DE ALGUNA PIEZA O PIEZAS QUE SE HALLEN DEFECTUOSAS DENTRO DEL PERÍODO DE VIGENCIA DE ESTA GARANTÍA. NO SE EFECTUARÁN REEMBOLSOS. SI NO HAY PIEZAS DE REPUESTO DISPONIBLES PARA LOS MATERIALES DEFECTUOSOS, HoMEDICS SE RESERVA EL DERECHO DE REALIZAR SUSTITUCIONES EN VEZ DE REPARAR O CAMBIAR.

Esta garantía no se extiende a la compra de productos abiertos, usados, reparados, embalados otra vez y/o abiertos y vueltos a cerrar, incluyendo entre otras cosas la venta de dichos productos en sitios de remate por Internet y/o la venta de dichos productos por revendedores o mayoristas. Todas y cada una de las garantías cesarán y terminarán inmediatamente con respecto a cualquier producto o pieza del mismo que estén reparados, cambiados, alterados o modificados sin el consentimiento previo explícito y por escrito de HoMedics.

Esta garantía le proporciona derechos legales específicos. Es posible que usted tenga derechos adicionales que pueden variar de un estado a otro. Debido a las regulaciones de ciertos estados, es posible que algunas de las limitaciones y exclusiones no se apliquen en su caso.

Por más información con respecto a nuestra línea de productos en los EE.UU., visítenos en: www.homedics.com

FLAMELESS CANDLE AROMA OIL DIFFUSER



Instruction Manual and Warranty Information

ARM-CAN1

El manual en español empieza a la página 9

1 year limited warranty

The ancient art of aromatherapy

Thank you for purchasing AromaSpa, HoMedics' aroma oil diffuser.

This, like the entire HoMedics product line, is built with high-quality craftsmanship to provide you years of dependable service. We hope that you will find it to be the finest product of its kind.

AromaSpa enables you to create an all-encompassing environment with scent. Aromatherapy harnesses the healing power of flowers, leaves, fruits, roots and bark to naturally improve moods, cleanse the mind and relax the body. Only AromaSpa offers you the luxury of these vital benefits with its creative design which adds beauty to any indoor environment.

AromaSpa Features

- Innovative, artistic design enhances the environment at home or at work.
- Relaxing and refreshing scents are dispersed throughout your room.
- Realistic candle flicker without the flame creates a stress free ambience.
- Polished river rocks bring a calming, natural element into your home.
- Experience the ease of AromaSpa with a dishwasher safe oil dish that can be used with any aroma oil.
- Battery Mode lets you enjoy the soft flicker of candlelight anywhere in your home.
- Convenient tabletop size measures 5.8”L x 5.8”W x 7.2”H

IMPORTANT SAFETY INSTRUCTIONS:

When using an electrical appliance, basic precautions should always be followed, including the following:

READ ALL INSTRUCTIONS BEFORE USING

DANGER

- To reduce the risk of electric shock:

- Always unplug the appliance from the electrical outlet immediately after using and before cleaning.
- Do not reach for an appliance that has fallen into water. Unplug it immediately.
- Do not place or store appliance where it can fall or be pulled into a tub or sink. Do not place in or drop into water or other liquid.
- Do not connect to any voltage other than that shown on the pump.
- Do not use flammable liquids.

WARNING

- To reduce the risk of burns, fire, electric shock or injury to persons:

- An appliance should never be left unattended when plugged in. Unplug from outlet when not in use and before putting on or taking off parts or attachments.
- Close supervision is necessary when this appliance is used by or near children, invalids or disabled persons.
- Use this appliance only for its intended use as described in this manual. Do not use attachments not recommended by HoMedics; specifically any attachments not provided with the unit.
- Never operate this appliance if it has a damaged cord, plug, cable or housing. If it is not working properly, if it has been dropped or damaged, return it to Homedics Service Center for examination and repair.
- Keep cord away from heated surfaces.
- Never drop or insert any object into any opening.
- Do not operate where aerosol (spray) products are being used or where oxygen is being administered.
- Do not carry this appliance by power cord or use cord as handle.
- To disconnect, remove plug from outlet.
- This appliance is designed for indoor use only. Do not use outdoors.
- Do not put fingers or hands into the product.
- Do not immerse in water.

SAVE THESE INSTRUCTIONS

Caution – Please read all instructions carefully before operating.

- Never leave the appliance unattended, especially if children are present.
- Never cover the appliance when it is in operation.
- This unit should not be used by children without adult supervision.
- Always keep the cord away from high temperature and fire.
- Unplug the unit from power source before cleaning, maintenance or disassembling.
- Do not lift, carry, hang, or pull the unit by the power cord.
- The electrical cord of this product cannot be replaced. If it sustains damage, you must stop using this product immediately and return it to the HoMedics Service Center for repair. (See the warranty section for HoMedics address.)
- Disconnect the appliance from outlet and allow to cool before putting hands on oil dish.

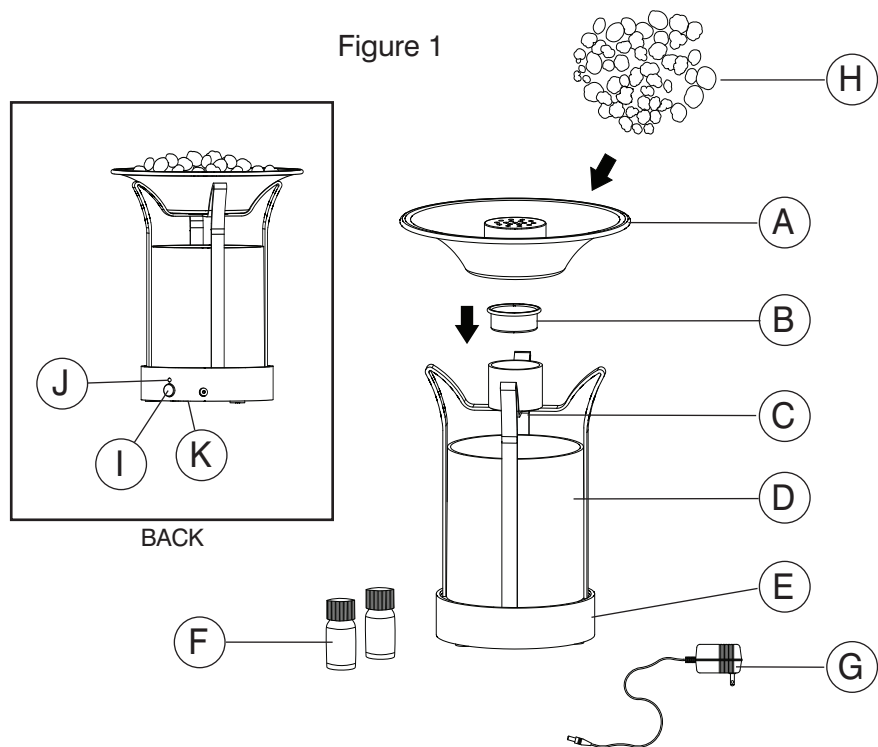


Figure 1

Getting Started

Unpack the product. Be sure that all parts listed are included (Figure 1).

Battery Operation

Install/Replace Batteries

AromaSpa's Flameless Candle can operate in Battery Mode, without power adaptor, for use of candlelight (Heating element will not activate in battery mode.) anywhere in your home.

1. Be sure to disconnect POWER ADAPTOR (G) from BASE (E); and remove ROCKS (H), ROCK TRAY (A) and OIL DISH (B) before turning AromaSpa upside down to access BATTERY COMPARTMENT (K).
2. Open the BATTERY COMPARTMENT (K) located on the bottom of the unit (Figure 2).
3. Insert 3-AA batteries checking that the +/- polarity follows the direction of the instructions inside the BATTERY COMPARTMENT (K).
4. Do not mix different types of batteries together (e.g. alkaline with carbon-zinc or old batteries with new).
5. Close BATTERY COMPARTMENT (K) cover.

NOTE: Remove the batteries if the product will not be used for a long time.

Battery Mode

1. In order for AromaSpa to function in battery mode, POWER ADAPTOR (G) must be disconnected from BASE (E).
2. When AromaSpa is off, first press of POWER BUTTON (I) will activate FLAMELESS CANDLE (D) (Figure 6). Second press of POWER BUTTON will shut AromaSpa off completely.

NOTE: Battery Mode operates flameless candle only.

Package Contents

Part	Description	Quantity
A	Rock Tray	1
B	Oil Dish	1
C	Heating Element (attached to E)	1
D	Flameless Candle (attached to E)	1
E	Base	1
F	Aroma Oils	2
G	Power Adaptor	1
H	Rocks	1 Set
I	Power Button	1
J	Heat Indicator	1
K	Battery Compartment (bottom of unit, not shown)	1

Figure 2

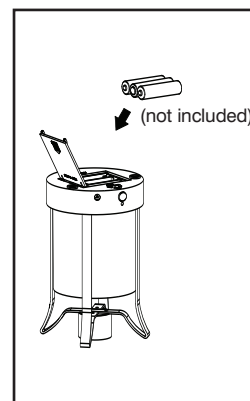


Figure 3

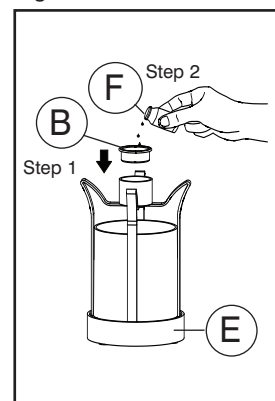


Figure 4

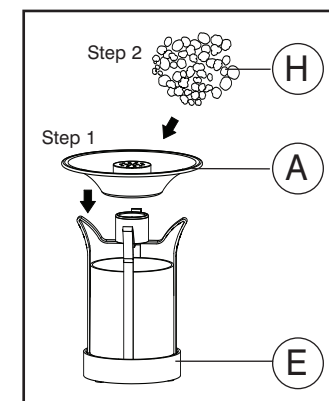


Figure 5

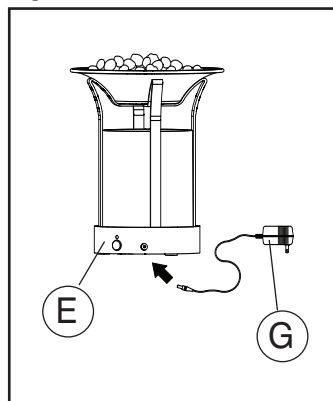
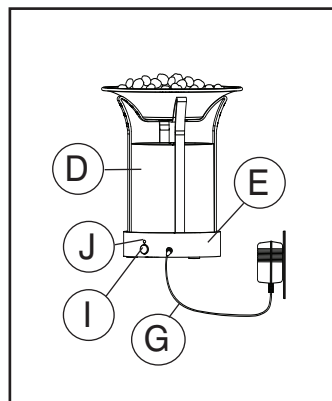


Figure 6



Assembly and Instructions for Use

1. Begin with AromaSpa unplugged. Place OIL DISH (B) in top of BASE (E) so that it sits flat. Add approximately 30 drops of AROMA OIL (F) into OIL DISH. There should be a thin layer of oil covering bottom surface of the dish (Figure 3).

NOTE: Amount may vary based on personal preference. It is not recommended to fill OIL DISH more than half full.

2. Place ROCK TRAY (A) on top of BASE (E). Arrange ROCKS (H) provided onto ROCK TRAY as desired (Figure 4).
3. Insert the POWER ADAPTOR (G) into the BASE (E) (Figure 5).
4. Plug the POWER ADAPTOR (G) into 120V household outlet. The AromaSpa is controlled by a POWER BUTTON (I) located at the back of the BASE (E) (Figure 6).
5. When AromaSpa is off, first press of POWER BUTTON will activate HEATING ELEMENT (C) and FLAMELESS CANDLE (D). When HEATING ELEMENT (C) is activated the red HEAT INDICATOR (J) light will illuminate (Figure 1).

NOTE: When HEAT INDICATOR is illuminated do not touch OIL DISH (B) or HEATING ELEMENT. Wait 10 minutes after HEAT INDICATOR shuts off before touching OIL DISH.

Second press of POWER BUTTON will deactivate HEATING ELEMENT, however, FLAMELESS CANDLE will remain illuminated. Red HEAT INDICATOR light will shut off.

Third press of POWER BUTTON will shut AromaSpa off completely.

Power Button Key

- 1st Press: Heating Element + Flameless Candle
- 2nd Press: Flameless Candle
- 3rd Press: OFF

NOTE: There is a 6-hour auto shut off on the unit for your safety.

CAUTION:
All servicing of AromaSpa must be performed by authorized HoMedics service personnel only.

Aroma Oil (F) Warnings

CAUTION: Eye Irritant. Keep out of reach of children and pets. This product is not a toy and solution is not intended for human consumption. Contact with enclosed solution may cause irritation. Wash hands thoroughly after handling.

FIRST AID: If eye contact occurs, rinse immediately with plenty of water for 10 minutes. If ingestion occurs, drink plenty of water. Do not induce vomiting. If irritation persists, seek medical attention.

- If any of the oil is spilled on the floor, use a damp cloth to clean area to avoid slipping.
- Discontinue if allergic reaction is experienced.
- Oils may stain.

Maintenance

Changing Scents

1. To change AromaSpa scent, shut AromaSpa off and unplug from electrical outlet.
- NOTE:** Wait 10 minutes after HEAT INDICATOR (J) shuts off before touching OIL DISH (C).
2. Once OIL DISH (C) has cooled, remove from BASE (E). Dispose of any remaining oil and clean.
- NOTE:** OIL DISH is dishwasher safe.
3. Do not add AROMA OIL (F) until OIL DISH (C) has been cleaned and fully dried.
 4. Return OIL DISH (C) back into top of BASE (E).
 5. AromaSpa can be used with any aroma oil. AromaSpa is intended to be used with essential oils, home fragrance oils, room fragrance oils and burning oils. Different types of oils should not be mixed. AromaSpa is not meant for use with cosmetic perfume oils.
 6. For instructions on adding aroma oils, refer to Assembly and Instructions for Use on page 5.

Cleaning

1. Refer to Changing Scents above for instructions on cleaning OIL DISH (C).
2. If oil is spilled any part of AromaSpa, besides OIL DISH (C), wipe it off immediately using a damp cloth.

AromaSpa Storage

Unplug AromaSpa from the electrical outlet, empty the AROMA OIL (F), and store in a dry, cool place.

Troubleshooting

If AromaSpa fails to operate, check the following:

- Check the circuit breaker, or try a different outlet to make sure AromaSpa is getting electrical power.

NOTE: Always disconnect from electrical outlet before handling the OIL DISH (C).

- If operating in Battery Mode, try inserting new batteries.

LIMITED ONE YEAR WARRANTY

HoMedics sells its products with the intent that they are free of defects in manufacture and workmanship for a period of one year from the date of original purchase, except as noted below. HoMedics warrants that its products will be free of defects in material and workmanship under normal use and service. This warranty extends only to consumers and does not extend to Retailers.

To obtain warranty service on your HoMedics product, mail the product and your dated sales receipt (as proof of purchase), postpaid, to the following address:

HoMedics Consumer Relations
Service Center Dept. 168
3000 Pontiac Trail
Commerce Township, MI 48390

No COD's will be accepted.

HoMedics does not authorize anyone, including, but not limited to, Retailers, the subsequent consumer purchaser of the product from a Retailer or remote purchasers, to obligate HoMedics in any way beyond the terms set forth herein. This warranty does not cover damage caused by misuse or abuse; accident; the attachment of any unauthorized accessory; alteration to the product; improper installation; unauthorized repairs or modifications; improper use of electrical/power supply; loss of power; dropped product; malfunction or damage of an operating part from failure to provide manufacturer's recommended maintenance; transportation damage; theft; neglect; vandalism; or environmental conditions; loss of use during the period the product is at a repair facility or otherwise awaiting parts or repair; or any other conditions whatsoever that are beyond the control of HoMedics.

This warranty is effective only if the product is purchased and operated in the country in which the product is purchased. A product that requires modifications or adoption to enable it to operate in any other country than the country for which it was designed, manufactured, approved and/or authorized, or repair of products damaged by these modifications is not covered under this warranty.

THE WARRANTY PROVIDED HEREIN SHALL BE THE SOLE AND EXCLUSIVE WARRANTY. THERE SHALL BE NO OTHER WARRANTIES EXPRESS OR IMPLIED INCLUDING ANY IMPLIED WARRANTY OF MERCHANTABILITY OR FITNESS OR ANY OTHER OBLIGATION ON THE PART OF THE COMPANY WITH RESPECT TO PRODUCTS COVERED BY THIS WARRANTY. HOMEDICS SHALL HAVE NO LIABILITY FOR ANY INCIDENTAL, CONSEQUENTIAL OR SPECIAL DAMAGES. IN NO EVENT SHALL THIS WARRANTY REQUIRE MORE THAN THE REPAIR OR REPLACEMENT OF ANY PART OR PARTS WHICH ARE FOUND TO BE DEFECTIVE WITHIN THE EFFECTIVE PERIOD OF THE WARRANTY. NO REFUNDS WILL BE GIVEN. IF REPLACEMENT PARTS FOR DEFECTIVE MATERIALS ARE NOT AVAILABLE, HOMEDICS RESERVES THE RIGHT TO MAKE PRODUCT SUBSTITUTIONS IN LIEU OF REPAIR OR REPLACEMENT.

This warranty does not extend to the purchase of opened, used, repaired, repackaged and/or resealed products, including but not limited to sale of such products on Internet auction sites and/or sales of such products by surplus or bulk resellers. Any and all warranties or guarantees shall immediately cease and terminate as to any products or parts thereof which are repaired, replaced, altered, or modified, without the prior express and written consent of HoMedics.

This warranty provides you with specific legal rights. You may have additional rights which may vary from state to state. Because of individual state regulations, some of the above limitations and exclusions may not apply to you.

For more information regarding our product line in the USA, please visit: www.homedics.com

© 2008 HoMedics, Inc. and its affiliated companies, all rights reserved. HoMedics® is a registered trademark of HoMedics, Inc. and its affiliated companies. AromaSpa™ is a trademark of HoMedics, Inc. and its affiliated companies. All rights reserved. -

IB-ARMCAN1

DIFUSOR DE ACEITES AROMÁTICOS DE VELA SIN LLAMA



Manual de instrucciones e información de garantía

ARM-CAN1

1 año de
garantía limitada

El antiguo arte de la aromaterapia

Gracias por comprar AromaSpa, el difusor de aceites aromáticos de HoMedics. Éste, al igual que toda la línea de productos HoMedics, está fabricado con mano de obra de alta calidad para brindarle años de servicio confiable. Esperamos que lo encuentre como el mejor producto de su clase.

AromaSpa le permite crear un ambiente completo y aromático. La aromaterapia captura el poder curativo de las flores, hojas, frutas, raíces y cortezas para mejorar de manera natural el humor, aclarar la mente y relajar el cuerpo. Sólo AromaSpa le ofrece el lujo de estos beneficios vitales con su creativo diseño que agrega belleza a cualquier ambiente interior.

Características del AromaSpa

- El diseño artístico y novedoso embellece el ambiente en el hogar o en el trabajo.
- Los aromas relajantes y refrescantes se dispersan por toda la habitación.
- El realista parpadeo de vela sin llama crea un ambiente libre de tensión.
- Las rocas de río pulidas proporcionan un elemento calmante y natural en su hogar.
- Experimente la sencillez del AromaSpa con un plato para el aceite apto para el lavavajillas que puede usarse con cualquier aceite aromático.
- El Modo de Batería le permite disfrutar del parpadeo suave de la luz de vela en cualquier parte de su hogar.
- Tamaño conveniente para la mesa: 5,8" de largo x 5,8" de ancho x 7,2" de alto

IMPORTANTES INSTRUCCIONES DE SEGURIDAD:

Cuando utiliza un artefacto eléctrico, siempre se deben seguir ciertas precauciones básicas, incluyendo lo siguiente:

LEA TODAS LAS INSTRUCCIONES ANTES DE USAR

PELIGRO - Para reducir el riesgo de choque eléctrico:

- Desconecte siempre este artefacto del tomacorriente inmediatamente después de usarlo y antes de limpiarlo.
- No intente tomar un artefacto que haya caído al agua. Desenchúfelo de inmediato.
- No coloque ni guarde un artefacto donde pueda caerse o ser tirado hacia una tina o lavamanos. No lo coloque ni lo deje caer en agua ni en ningún otro líquido.
- No la conecte a ningún otro voltaje que no sea que el se muestra en la bomba.
- No use líquidos inflamables.

ADVERTENCIA - Para reducir el riesgo de quemaduras, incendio, choque eléctrico o lesiones a las personas:

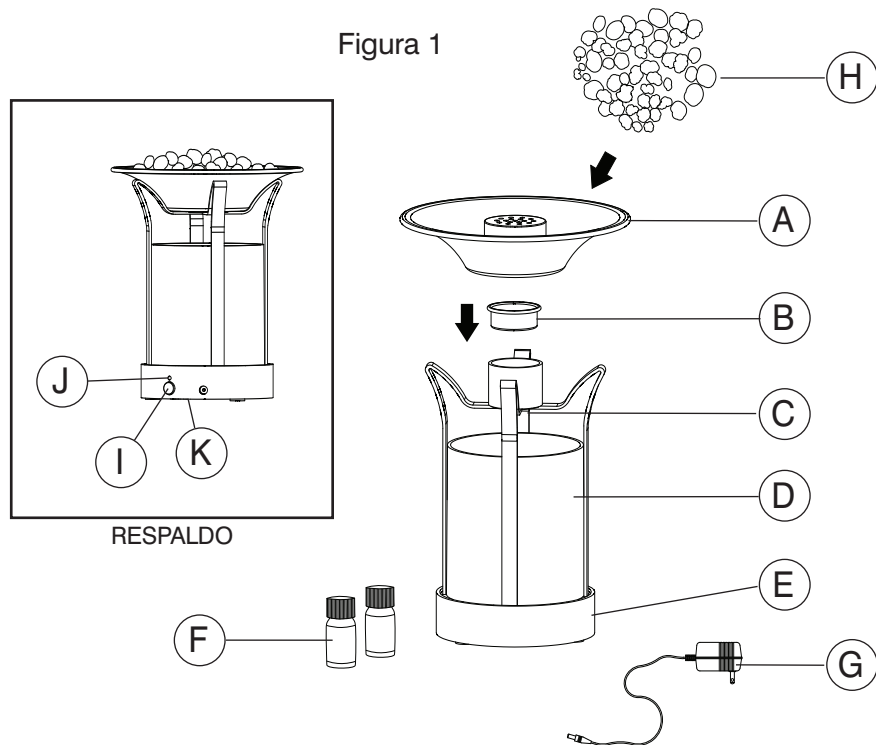
- Un artefacto nunca debe ser dejado sin atención cuando está enchufado. Desenchúfelo del tomacorriente cuando no lo esté usando y antes de colocar o quitar piezas o accesorios.
- Es necesaria una supervisión estricta cuando lo usan niños o personas inválidas o incapacitadas o cuando está próximo a ellos.
- Utilice este artefacto sólo para el uso para el cual está diseñado y como se describe en este manual. No use accesorios no recomendados por HoMedics, especialmente si no han sido incluidos con la unidad.
- Nunca haga funcionar este aparato si tiene el cordón, el enchufe, el cable o el armazón dañado. Si no está funcionando adecuadamente, si se ha caído o dañado, envíelo al Centro de servicio de HoMedics para que sea examinado y reparado.
- Mantenga el cable alejado de superficies calientes.
- Nunca lo deje caer ni inserte ningún objeto en ninguna abertura.
- No lo haga funcionar donde se utilizan productos de rociado por aerosol o donde se está administrando oxígeno. No lleve este artefacto tomado del cable, ni use el cable como manija.
- Para desconectarlo, quite el enchufe del tomacorriente.
- Este artefacto está diseñado únicamente para usarlo en interiores. No lo use en exteriores.
- No ponga los dedos o las manos en este artículo.
- No lo sumerja en agua.

GUARDE ESTAS INSTRUCCIONES

Precaución – Lea todas las instrucciones con atención antes de poner en funcionamiento.

- Nunca deje el artefacto sin vigilancia, especialmente si hay niños presentes.
- Nunca cubra el artefacto mientras está en funcionamiento.
- Esta unidad no debe ser usada por niños sin la supervisión de un adulto.
- Siempre mantenga el cordón alejado de las temperaturas altas.
- Desenchufe la unidad de la fuente de energía antes de limpiar, realizar el mantenimiento o desarmar.
- No levante, lleve, cuelgue ni tire de la unidad tomándola del cable de corriente.
- El cable de corriente de este producto no puede ser reemplazado. Si presenta daños, debe dejar de usar este producto de inmediato y enviarlo al Centro de servicio de HoMedics para su reparación. (Consulte la sección de garantía para obtener la dirección de HoMedics.)
- Desconecte la unidad del tomacorriente y déjela enfriar antes de poner las manos en el plato del aceite.

Figura 1



Contenido del paquete

Pieza	Descripción	Cantidad
A	Bandeja de Rocas	1
B	Plato de Aceite	1
C	Elemento Calefactor (sujetado a E)	1
D	Vela sin Llama (sujetado a E)	1
E	Base	1
F	Aceites Aromáticos	2
G	Adaptador de Energía	1
H	Rocas	1 Juego
I	Botón "Power" de encendido	1
J	Indicador de Calor	1
K	Compartimiento de Baterías (fondo de la unidad, no se ilustra)	1

Para Empezar

Desempaque el producto. Verifique que no falte ninguna pieza de la lista (Figura 1).

Funcionamiento con Baterías

Para Instalar/Reemplazar las Baterías

La Vela sin Llamas de AromaSpa puede funcionar en el Modo de Baterías, sin el adaptador de energía, para el uso de la luz de vela (el elemento calefactor no se activa en el modo de batería) en todas partes en su hogar.

1. Asegúrese de desconectar el ADAPTADOR DE ENERGÍA (G) de la BASE (E); y quite las ROCAS (H), LA BANDEJA DE LAS ROCAS (A) y EL PLATO DEL ACEITE (B) antes de voltear bocabajo el AromaSpa para abrir el COMPARTIMIENTO DE LAS BATERÍAS (K).
2. Abra el COMPARTIMIENTO DE LAS BATERÍAS (K) ubicado en el fondo de la unidad (Figura 2).
3. Inserte 3 baterías AA asegurándose de que la polaridad +/- esté dispuesta según las instrucciones dentro del COMPARTIMIENTO DE LAS BATERÍAS (K).
4. No combine diferentes tipos de baterías (p. ej. alcalinas con cinc-carbono o baterías viejas con nuevas).
5. Cierre la tapa del COMPARTIMIENTO DE LAS BATERÍAS (K).

NOTA: Retire las baterías si el producto no se utilizará por un largo tiempo.

Modo de Baterías

1. Para que el AromaSpa pueda funcionar en el modo de batería, el ADAPTADOR DE ENERGÍA (G) debe ser desconectado de la BASE (E).
2. Cuando el AromaSpa está apagado, oprimir una vez el BOTÓN DE ENCENDIDO (I) activará la VELA SIN LLAMAS (D) (Figura 6). Oprimir el BOTÓN DE ENCENDIDO una segunda vez apagará el AromaSpa completamente.

NOTA: El Modo de Baterías hace funcionar sólo la vela sin llamas.

Figura 2

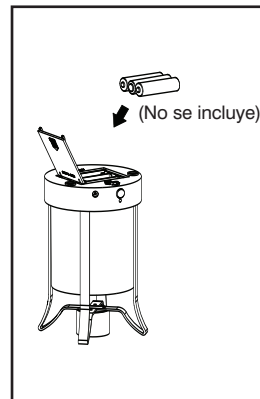


Figura 3

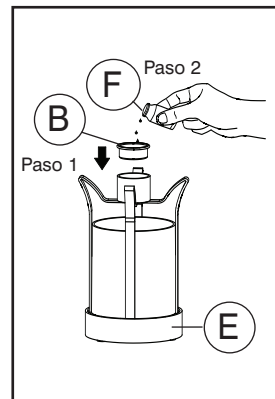


Figura 4

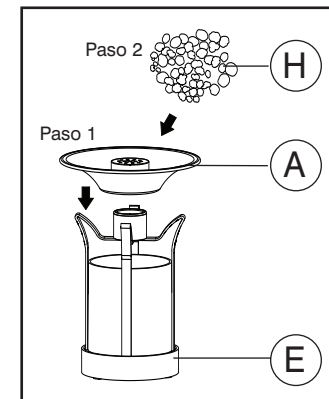


Figura 5

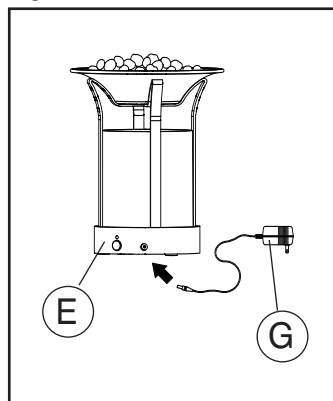
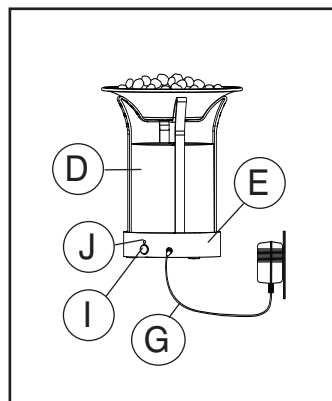


Figura 6



Armado e Instrucciones de uso

1. Comience con el AromaSpa desenchufado. Coloque el PLATO DEL ACEITE (B) sobre la BASE (E) de modo que quede plano. Añada aproximadamente 30 gotas de ACEITE AROMÁTICO (F) en el PLATO DEL ACEITE. Debe haber una capa delgada de aceite cubriendo la superficie del fondo del plato (Figura 3).

NOTA: La cantidad puede variar según la preferencia personal. No se recomienda llenar el PLATO DEL ACEITE a más de la mitad.

- Coloque la BANDEJA DE LAS ROCAS (A) encima de la BASE (E). Disponga las ROCAS (H) que se proporcionan en la BANDEJA DE LAS ROCAS como desee (Figura 4).
- Inserte el ADAPTADOR DE ENERGÍA (G) en la BASE (E) (Figura 5).
- Enchufe el ADAPTADOR DE ENERGÍA (G) en un tomacorriente doméstico de 120 voltios. El AromaSpa se controla por medio del BOTÓN DE ENCENDIDO (I) localizado detrás de la BASE (E) (Figura 6).
- Cuando el AromaSpa está apagado, oprimir una vez el BOTÓN DE ENCENDIDO (I) activará el ELEMENTO CALEFACTOR (C) y la VELA SIN LLAMAS (D). Cuando el ELEMENTO CALEFACTOR (C) es activado, la luz roja del INDICADOR DE CALOR (J) se iluminará (Figura 1).

NOTA: Cuando el INDICADOR DE CALOR es iluminado, no toque el PLATO DEL ACEITE (B) ni el ELEMENTO CALEFACTOR. Espere 10 minutos después de que el INDICADOR DE CALOR se haya apagado antes de tocar el PLATO DEL ACEITE.

Oprimir el BOTÓN DE ENCENDIDO una segunda vez desactivará el ELEMENTO CALEFACTOR, sin embargo, la VELA SIN LLAMAS permanecerá encendida. La luz roja del INDICADOR DE CALOR se apagará.

Oprimir el BOTÓN DE ENCENDIDO una tercera vez apagará el AromaSpa completamente.

Botón de Encendido

- Oprimir 1 vez: Elemento Calefactor + Vela sin Llamas
- Oprimir una 2da vez: Vela sin Llamas
- Oprimir una 3ra vez: OFF (apagado)

ATENCIÓN: La unidad se apaga automáticamente después de 6 hora, por seguridad.

PRECAUCIÓN: Todo el servicio de AromaSpa debe ser realizado únicamente por personal de servicio autorizado de HoMedics.

Advertencias sobre los Aceites Aromáticos (F)

PRECAUCIÓN: Irrita los ojos. Mantenga este producto fuera del alcance de los niños y mascotas. Este producto no es un juguete y las soluciones no son para consumo humano. El contacto con las soluciones incluidas puede causar irritaciones. Lávese las manos cuidadosamente después del manejo.

PRIMEROS AUXILIOS: En caso de contacto con los ojos, enjuague de inmediato con agua abundante por 10 minutos. En caso de ingestión, beba agua en abundancia. No induzca el vómito. Si la irritación persiste, obtenga la atención de un médico.

- En caso de derrame del aceite en el piso, limpie el área con un trapo húmedo para evitar resbalones.
- Si experimenta reacciones alérgicas interrumpa el uso.
- Los aceites pueden manchar.

Mantenimiento

Cambio de Aromas

- Para cambiar el aroma del AromaSpa, apague el AromaSpa y desenchúfelo del tomacorriente.
- NOTA:** Espere 10 minutos después de que el INDICADOR DE CALOR (J) se haya apagado antes de tocar el PLATO DEL ACEITE (C).
- Una vez el PLATO DEL ACEITE (C) se haya enfriado, quítelo de la BASE (E). Elimine cualquier aceite que haya quedado y limpie el plato.
- NOTA:** EL PLATO DEL ACEITE es apto para el lavavajillas.
- No añada el ACEITE AROMÁTICO (F) hasta que el PLATO DEL ACEITE (C) haya sido limpiado y secado totalmente.
- Vuelva a colocar el PLATO DEL ACEITE (C) en la parte superior de la BASE (E).
- El AromaSpa puede usarse con cualquier aceite aromático. El AromaSpa está diseñado para ser usado con aceites esenciales, aceites de fragancia para el hogar, aceites de fragancia para la habitación y aceites para quemar. Los diferentes tipos de aceite no deben mezclarse. El AromaSpa no está diseñado para el uso con aceites perfumados cosméticos.
- Para instrucciones para añadir aceites aromáticos, refiérase a Armado e Instrucciones de Uso, en la página 5.

Limpieza

- Refiérase al Cambio de Aromas de arriba para las instrucciones de limpieza del PLATO DE ACEITES (C).
- Si el aceite se derrama en cualquier parte del AromaSpa, además del PLATO DEL ACEITE (C), límpielo de inmediato con un trapo húmedo.

Almacenaje del AromaSpa

Desenchufe el AromaSpa del tomacorriente, vacíe el ACEITE AROMÁTICO (F) y guarde el artefacto en un lugar fresco y seco.

Diagnóstico y resolución de problemas

Si AromaSpa no funciona, verifique lo siguiente:

- Revise el disyuntor o enchufe la unidad en otro tomacorriente para asegurarse de que AromaSpa está recibiendo corriente.
- Revise el disyuntor o enchufe la unidad en otro tomacorriente para asegurarse de que el AromaSpa esté recibiendo corriente.

NOTA: Siempre desconecte el artefacto del tomacorriente antes de manipular el PLATO DEL ACEITE (C).

- Si trabaja en el Modo de Baterías, ensaye insertando baterías nuevas.